

# Relay Board

## 12V AC/DC

### Specification:

Input Voltage Range:	10V ~ 16V AC/DC
Switching Current DC:	10A @ 30VDC
Switching Current AC:	7A @ 250VAC
Operating temp:	-3°C to 60°C
Dimensions (lxbxh):	35 x 30 x 16 mm
Gross Weight:	17g
Warranty:	24 Months



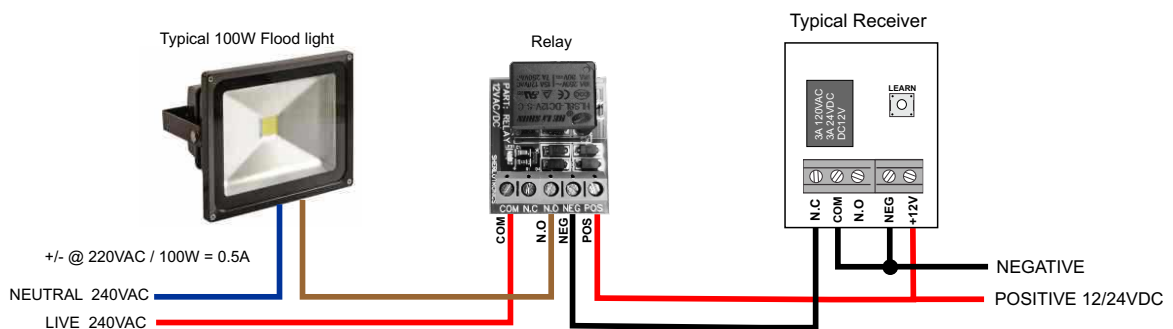
### Applications

- Converting Normally Closed contact to Normally Open
- Isolating electric fence energiser outputs to sensitive transmitter inputs
- Switching heavy current like sirens or strobe lights
- Switching high voltages like 240VAC lights

### Features

- Full bridge rectification so you can use AC/DC
- LED indication
- Normally Open
- Normally Closed
- Potentially Free Common contact

### Typical Wiring diagram



### Order Code

12-16VAC/DC RELAY BOARD WITH  
LED INDICATION 7A CONTACT

RELAY