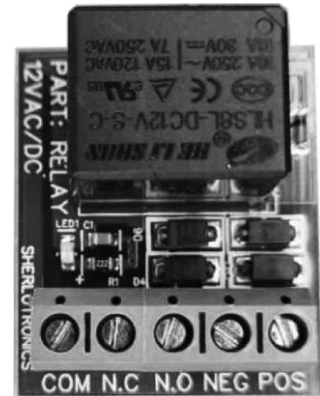


Model No: **RELAY**

Relay Board 12V AC/DC

Specification:

Input Voltage Range:	10V ~ 16V AC/DC
Switching Current DC:	10A @ 30VDC
Switching Current AC:	7A @ 250VAC
Operating temp:	-3°C to 60°C
Dimensions (lxbxh):	35 x 30 x 16 mm
Gross Weight:	17g
Warranty:	24 Months



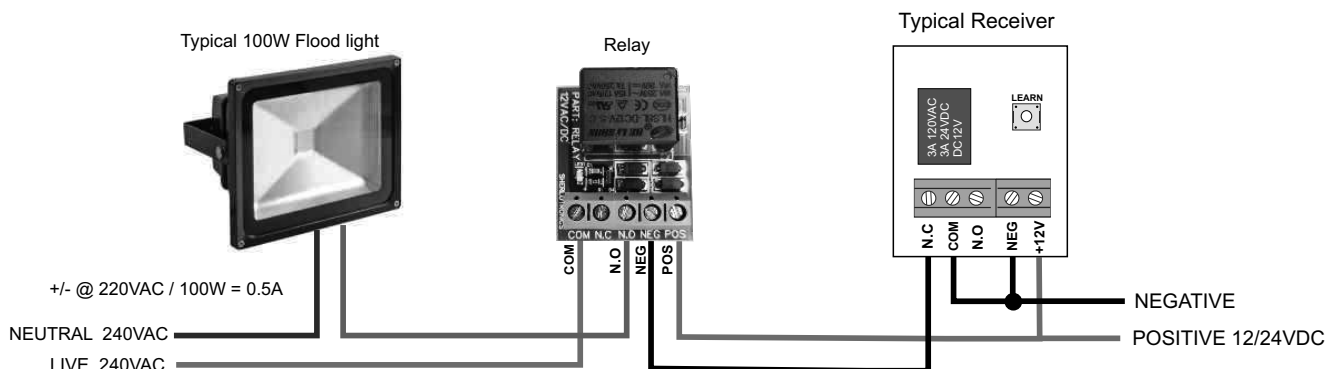
Applications

- Converting Normally Closed contact to Normally Open
- Isolating electric fence energiser outputs to sensitive transmitter inputs
- Switching heavy current like sirens or strobe lights
- Switching high voltages like 240VAC lights

Features

- Full bridge rectification so you can use AC/DC
- LED indication
- Normally Open
- Normally Closed
- Potentially Free Common contact

Typical Wiring diagram



Warranty

This product is sold subject to our standard warranty conditions and is warranted against defects in workmanship for a period of two years.

Customer Support line: +2711 462 5101 E-mail: technical@sherlotronics.co.za