

Model No: S1

Rev: 2020

1 Channel Stand-alone Transmitter**Technical Specifications:**

Model:	S1
Encryption type:	Code hopping
Transmission frequency:	403MHz (Local) 433MHz (Export)
Transmission method:	OOK
Modulation:	AM
Transmission range: Indoors	100m
Transmission range: Outdoors	500m "Line of sight"
Voltage range:	10V to 14VDC
Standby current consumption:	+/-8mA 10%
Current consumption on tx:	+/-25mA 10%
Operating Temperature:	-3°C to 49°C
Dimension (lxbxh)	100 x 60 x 25mm
Gross weight:	135g

Approvals: *

This product is approved for use in residential, commercial and light Industrial environment and complies with the essential protection requirements of the R&TTE Directive 1999/EC on the approximation of the laws of the Member states relating to electromagnetic compatibility and radio spectrum.

Certifications:

ETSI EN300 220-V2.4.1

ETSI EN301-489-3 V1.4.1

ETSI EN301-489-1 V1.9.2

IEC 60950-1:2005 + A1:2009

ICASA TA 2017/1755

**Features:**

Code-Hopping Encryption, 1 x N.O (Open) Trigger input

Positive / Negative trigger input

ON / OFF Function

Frequency stability controlled +/- 75KHz

Scan the QR code
to download the
User Guide

**Order Codes:**

1 Channel Transmitter: Code-hopping

S1

Product info:

The S1 Single Channel Transmitter unit is designed as a Cost effective version of our 4 Channel Unit. The RF output will achieve approx 100m.

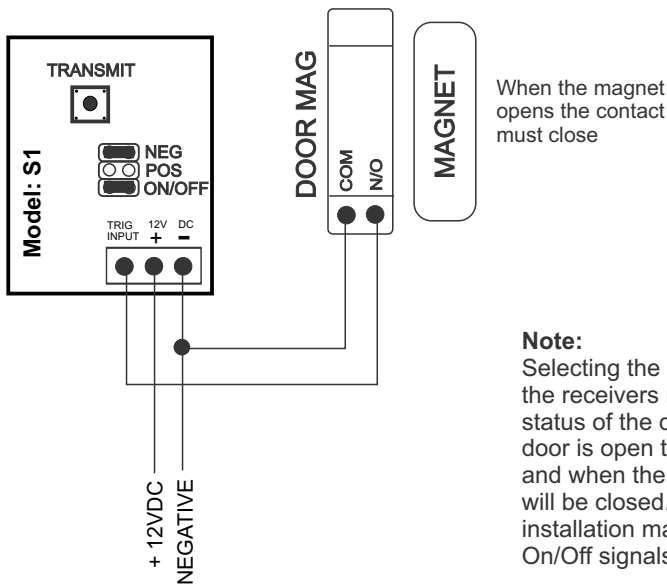
The unit has been simplified some what in that it can only be set to trigger from either a Positive or Negative trigger input, N.O (Open). When the unit is triggered it will transmit out 2 short RF bursts over a period of +/-3 seconds.

Designed to be wired up to Alarm outputs, Switches, & Motion Detectors, Magnetic door contact switches, the S1 will suite applications that require just a single Channel wireless linkup at an affordable cost.

Programming a Receiver:

1. Wire the S1 Unit up to 12V DC Power.
2. Place the Receiver unit into LEARN mode.
3. To learn a S1 into a Receiver press the TRANSMIT button momentarily.
4. The Receiver will beep twice when it is learnt correctly.
5. Take the Receiver out of LEARN mode and test that the S1 Transmitter activates the receiver.

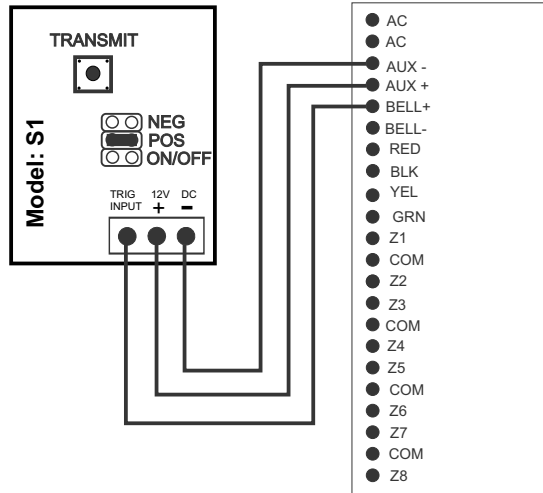
Wiring a Magnetic door contact switch



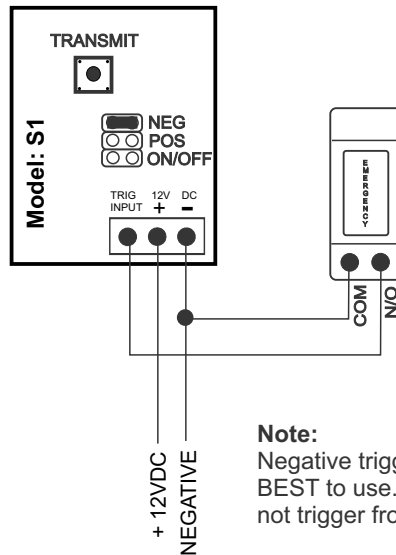
Note:

Selecting the ON/OFF will enable the receivers relay to simulate the status of the door. So when the door is open the relay will be open and when the door closes the relay will be closed. Please follow the relevant installation manual to program in the On/Off signals to the relevant receiver

Wiring an Alarm panel to the siren output



Wiring a Panic switch



Warranty

This product is sold subject to our standard warranty conditions and is warranted against defects in workmanship for a period of two years.

Customer Support line: +2711 462 5101
E-mail: technical@sherlotronics.co.za