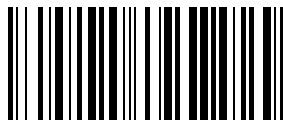


## Model No: 3.2AMP



**12V 3.2A Power-Supply, Battery  
Charger with Low battery Cutoff.**

# 12VDC




3 . 2 AMP

## Product Description:

The device is an 12V Battery backup Power-supply unit used on various security equipment such as Alarm panels, Access control panels, CCTV, and Panic systems.

## Technical Specifications:

Model:	3.2AMP
Housing colour and material:	White ABS
Input Voltage range:	110V - 240V 50Hz 0.5A
Output Voltage adjustable range:	12.8 - 14.6VDC 
Max Current:	3.2A
Relay Rating:	10A /12V
Operating Temperature:	-7°C to 49°C
Dimension (lxbxh)	200 x 180 x 80mm
Gross weight:	0.805Kg

## Features:

- Microprocessor Controlled charging output.
- Low battery switch off at 10V DC.
- Buzzer tones on battery low and AC Fail.
- Resettable Fuse protection on DC output.
- Fuse protection on AC input.
- ABS Plastic enclosure.



## Safety Instructions:

- The device is configured for voltages of 110 to 240V AC. It only has to be plugged into a grounded socket.
- The device may only be used in a dry environment, do not expose it to moisture (sprays of water, mist etc.)



Danger: Do not open the device casing while it is powered on.

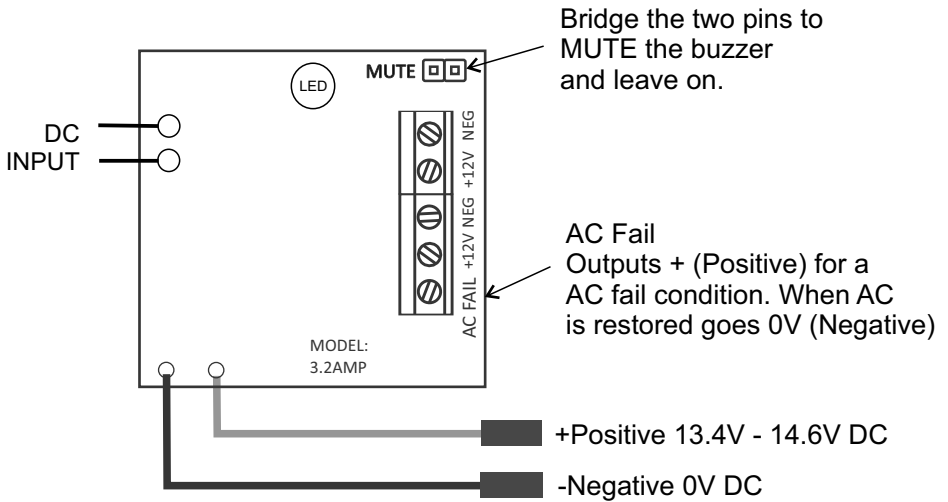


The device is intended to Charge Lead Acid batteries with a max capacity ampere hour rating of 7A/H. A bigger battery may result in the unit not operating correctly.

## WARNING:

THE SOCKET OUTLET SHOULD BE INSTALLED NEAR THE EQUIPMENT AND SHALL BE EASILY ACCESSIBLE

## Diagram 1



### Note:

Before connecting the battery, plug the unit into mains. Using a voltage meter measure Volts across the Red (+) and Black (-) battery wires to check that the Charge voltage is between 13.2V-14.6V D.C.

Disconnect Mains power before wiring up the equipment to the unit.

The unit will create slight internal heat on all components including its battery. Ensure that the unit has adequate ventilation when selecting the installation location.

### AUDIBLE TONES

POWER UP	3 second beep
POWER FAILURE	Beeps ever 30 seconds
BATTERY CUTOFF	30 second WARNING Beep before the unit cuts off the battery voltage

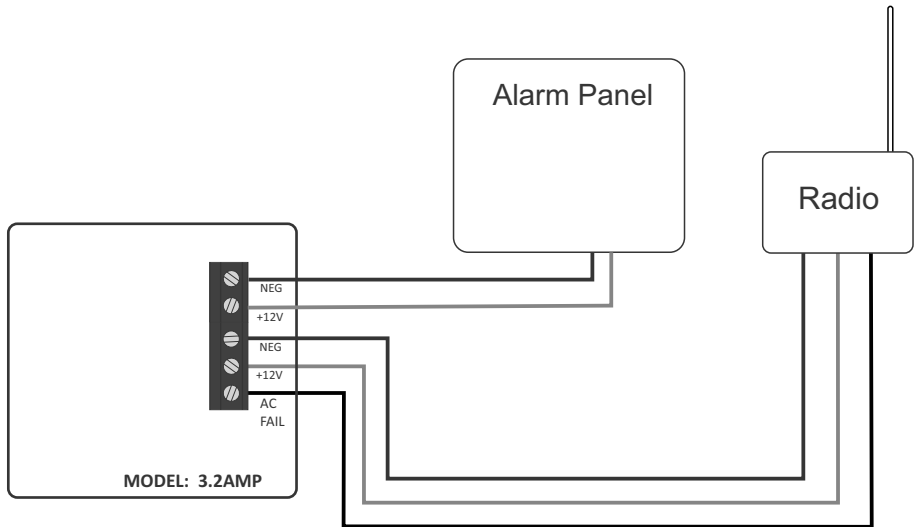
### Note:

The Audible tones can be disabled or muted by bridging the MUTE jumper found on the top right hand side of the PCB. Please see Diagram 1:

### LED INDICATION

GREEN	Power is on & the unit is charging the battery at the correct voltage
ORANGE	Power failure condition. The battery Voltage is above 12V & still good
RED	Power failure condition. The battery Voltage is below 11.5V & is almost depleted
OFF	Power failure condition. The battery Voltage is below 10V & the unit is switched off.

## Wiring up a 3.2AMP Power-supply to a Typical Alarm System



### Approvals:

This product is approved for use in Residential, commercial and Light Industrial Environment and Complies with the essential protection requirements of the R&TTE Directive 1999/EC on the approximation of the laws of the Member states.

#### Certifications:

EN 55022:2010  
EN 55024:2010  
EN 6100-3-2:2006+A1:2009 + A2:2009  
EN 6100-3-3:2008  
IEC 60950-1:2005 + A1:2009

### Order Codes:

3.2A Unit complete	3.2AMP
Charger & Low battery PCB only	3.2PCB
3.2A Switch mode module	TK-10

### Warranty

This product is sold subject to our standard warranty conditions and is warranted against defects in workmanship for a period of 1 year.

**Customer Support :** +2711 462 5101

**email:** [technical@sherlotronics.co.za](mailto:technical@sherlotronics.co.za)