

**Model No: S1**

Revision: 2021 : PCB Ver 2.3

**1 Channel Stand-alone Transmitter, with On/Off & Supervision****Technical Specifications:**

|                                    |                                |
|------------------------------------|--------------------------------|
| Model:                             | S1                             |
| Encryption type:                   | Code hopping                   |
| Transmission frequency selectable: | 403MHz (Local) 433MHz (Export) |
| Transmission method:               | OOK                            |
| Modulation:                        | AM                             |
| Transmission range: Indoors        | 100m                           |
| Transmission range: Outdoors       | 500m "Line of sight"           |
| Voltage range:                     | 10V to 15VDC                   |
| Standby current consumption:       | +/-8mA 10%                     |
| Current consumption on tx:         | +/-25mA 10%                    |
| Operating Temperature:             | -3°C to 49°C                   |
| Dimension (lxbxh)                  | 100 x 60 x 25mm                |
| Gross weight:                      | 135g                           |

**Approvals: \***

This product is approved for use in residential, commercial and light Industrial environment and complies with the essential protection requirements of the R&TTE Directive 1999/EC on the approximation of the laws of the Member states relating to electromagnetic compatibility and radio spectrum.

## Certifications:

ETSI EN300 220-V2.4.1

ETSI EN301-489-3 V1.4.1

ETSI EN301-489-1 V1.9.2

IEC 60950-1:2005 + A1:2009

ICASA TA 2017/1755

**Features:**

Code-Hopping Encryption, N.O (Open), N.C (Closed)

Positive/Negative, ON/OFF Function, Supervision,

Dip-switch selectable 403Mhz &amp; 433MHz

Scan the QR code  
to download the  
User Guide

**Order Codes:**

|                                     |    |
|-------------------------------------|----|
| 1 Channel Transmitter: Code-hopping | S1 |
|-------------------------------------|----|

## Product info:

The S1 Single Channel Transmitter unit is designed as a Cost effective version of our 4 Channel Unit. The RF output will achieve approx 100m.

The new Ver2.3 2021 model has been upgraded with a 4-Way dip-switch. The installer can select between Positive or Negative trigger input, N/O; or N/C input, On/Off or Standard(STD), SUPERVISION or Standard(STD). Frequency selectable 403Mhz or 433Mhz. When the unit is triggered it will transmit out 2 short RF bursts over a period of +/-3 seconds.

Designed to be wired up to Electric fence Alarm outputs, Switches, Motion Detectors, Magnetic door contact switches, the S1 will suite applications that require just a single Channel wireless linkup.

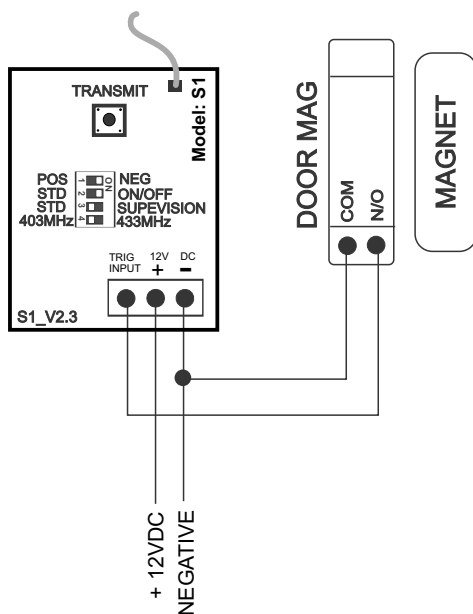
## Supervision explanation:

When the Supervision is enabled to the ON position on dipswitch 3, the unit will transmit out a supervision signal in the background +/- every 30minutes. If the Supervised signal is not received after approx 1 hour then the receiver will trigger its **Fail Supervised** output. This function is only to be used if you are installing the new 4 Channel Supervision Receiver: **Model: RX4S**

## Programming a Receiver:

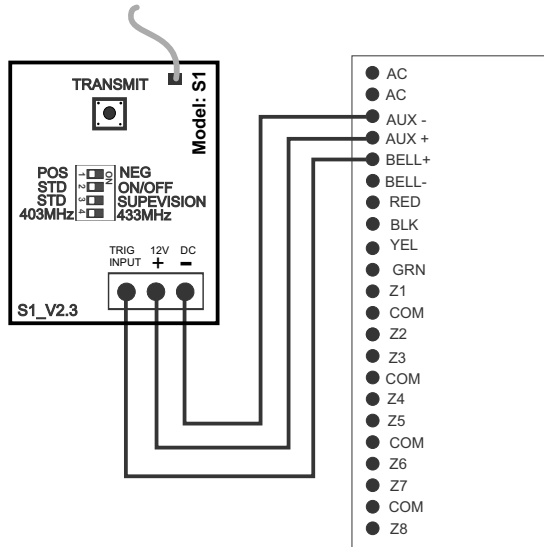
1. Wire the S1 Unit up to 12V DC Power.
2. Place the Receiver unit into LEARN mode.
3. To learn a S1 into a Receiver press the TRANSMIT button momentarily.
4. The Receiver will beep twice when it is learnt correctly.
5. Take the Receiver out of LEARN mode and test that the S1 Transmitter activates the receiver.

## Wiring a Magnetic door contact switch

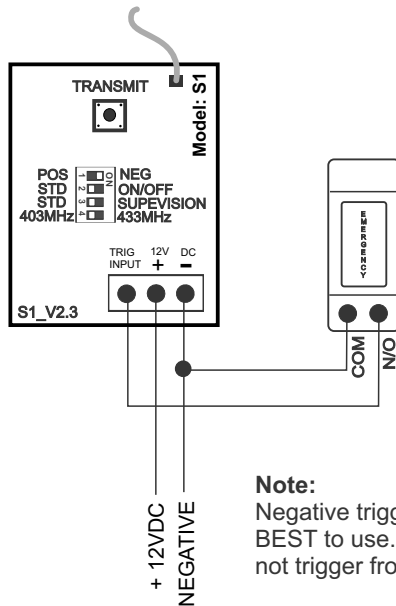


**Note:**  
Selecting the ON/OFF will enable the receivers relay to simulate the status of the door. So when the door is open the relay will be open and when the door closes the relay will be closed. Please follow the relevant installation manual to program in the On/Off signals to the relevant receiver

## Wiring an Alarm panel to the siren output



## Wiring a Panic switch



## Warranty

This product is sold subject to our standard warranty conditions and is warranted against defects in workmanship for a period of two years.

**Customer Support line: +2711 462 5101**  
**E-mail: [technical@sherlotronics.co.za](mailto:technical@sherlotronics.co.za)**

## Installation Instructions - For Service Persons Only

**Model No: S1**

Rev: 2019m PCB Ver: 2.0

**1 Channel Stand-alone Transmitter****Technical Specifications:**

|                              |                                |
|------------------------------|--------------------------------|
| Model:                       | S1                             |
| Encryption type:             | Code hopping                   |
| Transmission frequency:      | 403MHz (Local) 433MHz (Export) |
| Transmission method:         | OOK                            |
| Modulation:                  | AM                             |
| Transmission range: Indoors  | 100m                           |
| Transmission range: Outdoors | 500m "Line of sight"           |
| Voltage range:               | 10V to 14VDC                   |
| Standby current consumption: | +/-8mA 10%                     |
| Current consumption on tx:   | +/-25mA 10%                    |
| Operating Temperature:       | -3°C to 49°C                   |
| Dimension (lxbxh)            | 100 x 60 x 25mm                |
| Gross weight:                | 135g                           |

**Approvals: \***

This product is approved for use in residential, commercial and light Industrial environment and complies with the essential protection requirements of the R&TTE Directive 1999/EC on the approximation of the laws of the Member states relating to electromagnetic compatibility and radio spectrum.

## Certifications:

ETSI EN300 220-V2.4.1

ETSI EN301-489-3 V1.4.1

ETSI EN301-489-1 V1.9.2

IEC 60950-1:2005 + A1:2009

ICASA TA 2017/1755

**Features:**

Code-Hopping Encryption, 1 x N.O (Open) Trigger input

Positive / Negative trigger input

ON / OFF Function

Frequency stability controlled +/- 75KHz

Scan the QR code  
to download the  
User Guide

**Order Codes:**

1 Channel Transmitter: Code-hopping

S1

## Product info:

The S1 Single Channel Transmitter unit is designed as a Cost effective version of our 4 Channel Unit. The RF output will achieve approx 100m.

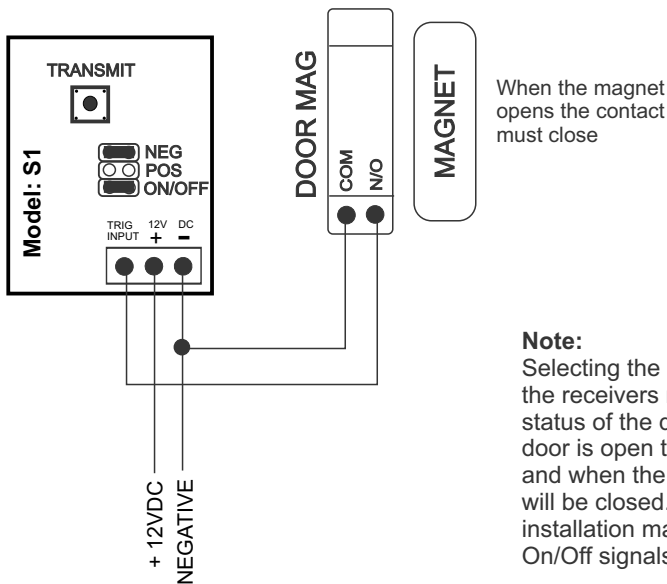
The unit has been simplified some what in that it can only be set to trigger from either a Positive or Negative trigger input, N.O (Open). When the unit is triggered it will transmit out 2 short RF bursts over a period of +/-3 seconds.

Designed to be wired up to Alarm outputs, Switches, & Motion Detectors, Magnetic door contact switches, the S1 will suite applications that require just a single Channel wireless linkup at an affordable cost.

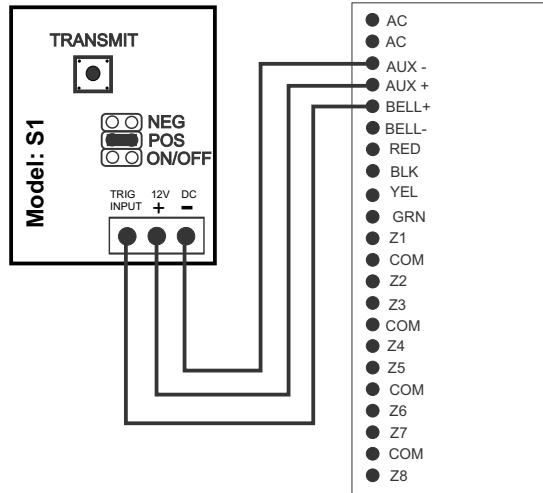
## Programming a Receiver:

1. Wire the S1 Unit up to 12V DC Power.
2. Place the Receiver unit into LEARN mode.
3. To learn a S1 into a Receiver press the TRANSMIT button momentarily.
4. The Receiver will beep twice when it is learnt correctly.
5. Take the Receiver out of LEARN mode and test that the S1 Transmitter activates the receiver.

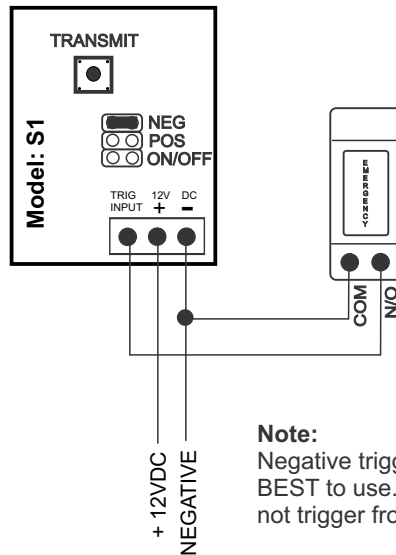
## Wiring a Magnetic door contact switch



## Wiring an Alarm panel to the siren output



## Wiring a Panic switch



## Warranty

This product is sold subject to our standard warranty conditions and is warranted against defects in workmanship for a period of two years.

**Customer Support line: +2711 462 5101**  
**E-mail: [technical@sherlotronics.co.za](mailto:technical@sherlotronics.co.za)**