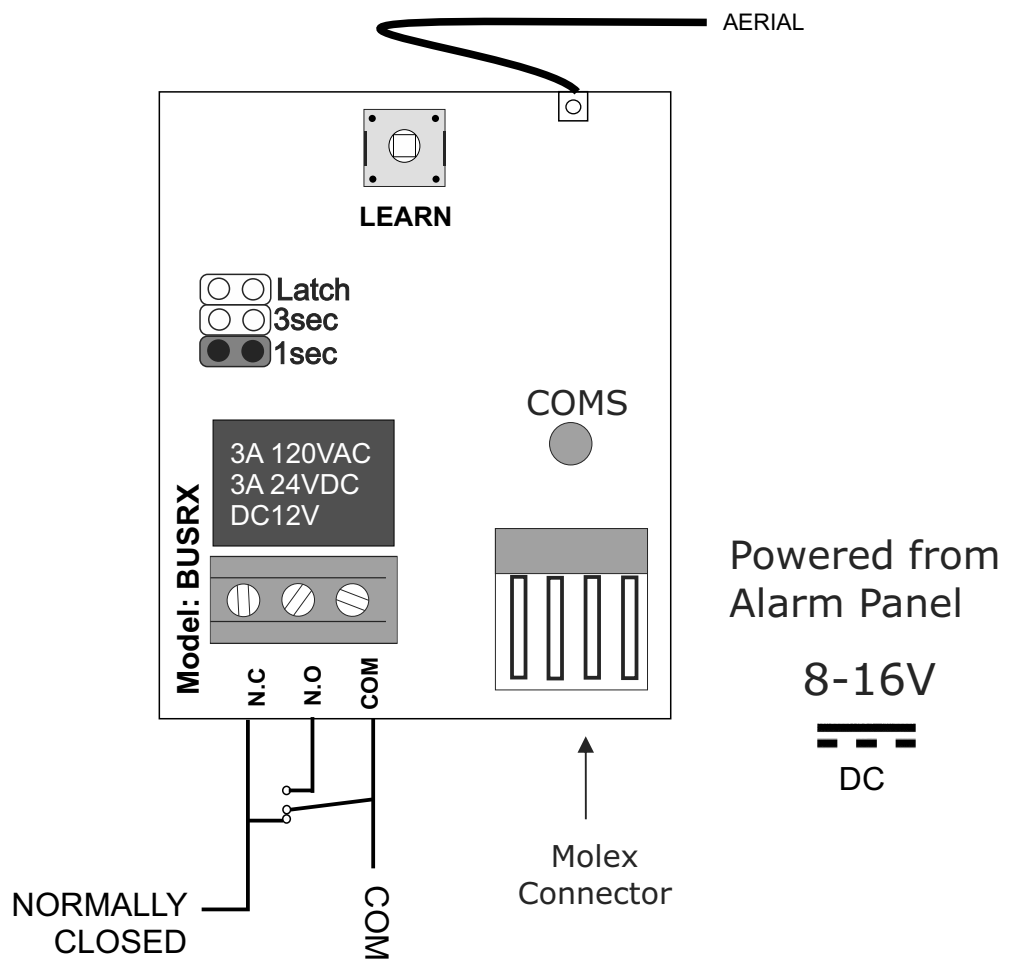


# BUSRX Instructions

This manual incorporates the instructions for both the Texecom Premier alarm & the Paradox alarm coding setup.



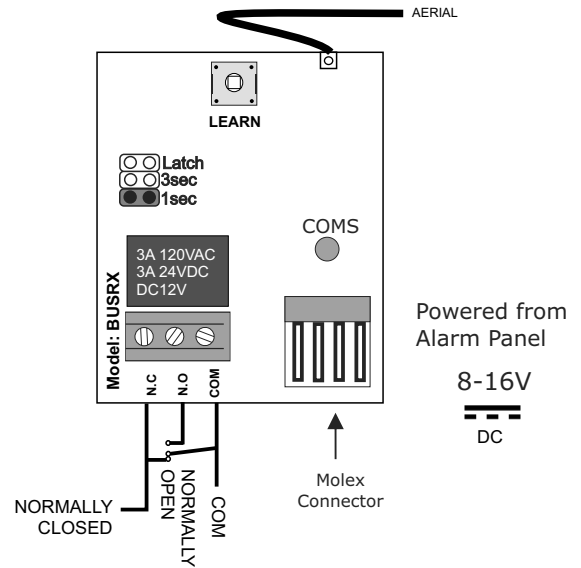
Please refer to page 2 and 3

**Description:**

1 Channel **BUS Line** receiver designed to be installed onto a Texecom Premier Alarm panel. Once the Receiver is connected to the Texecom Panel the 4 Button fob transmitters need to be enrolled to the panel as user id codes.

**SPECIFICATIONS:**

- Encryption.....Code-Hopping
- Frequency.....403.55MHz
- Receiving range.....150m
- Power input range.....8 ~ 16V DC
- Current drain.....11mA, 12VDC
- Memory capacity.....32 Remotes
- Relay output times.....1 or 3 second momentary
- Dimensions.....100 X 60 x 25mm
- Weight.....95 grams
- Warranty.....5 year
- Board identification.....BUSRX\_V3
- Release month.....Nov 2014



**Installation of product:-**

1. Plug the supplied wire harness to the BUSRX Molex connector (4 pin) and the Texecom panels COM pins, observe the missing link.
2. Mount the Receiver on the outside of the Alarm panels metal chassis for **best** reception range.  
Note: The wire harness may be cut and extended if required, but must not exceed 80meters in length.

**PROGRAMMING A REMOTE TO THE PANEL**

Please refer to the relevant Texecom panels programming instructions to enable the COM port to be "ON"

1. Enter Installer code (ie:- 1234)
2. Menu 9
3. 80
4. 02 (user code)
5. Area
6. Press the blue button on the remote control
7. To add additional remotes repeat from 4. using the next available user number. (Keypad beeps)
8. Menu 99

**DELETING A REMOTE FROM THE PANEL**

1. Enter Installer code (ie:-1234)
2. Menu 9
3. 80
4. 02 (user code)
5. Bypass
6. Menu 99

**DEFAULTING**

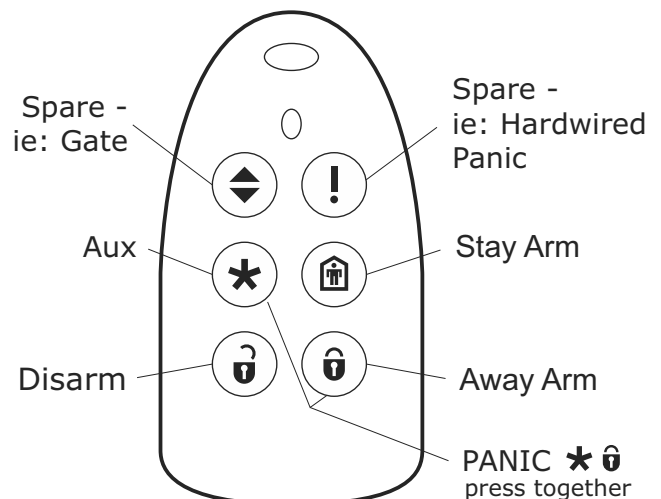
1. Unplug the Wire harness from the Molex connector.
2. Press and hold in the Program switch.
3. Plug the Wire harness back onto the Molex connector while still holding the Program switch in for 10seconds.
4. Un-press the Program button.
5. Restore power to the Alarm panel so as to re-enable the communication port.

**LEARNING REMOTES TO THE RELAY CONTACT**

1. Press the LEARN switch once. The COMS LED comes on.
2. Learn in all the remotes one at a time. (Max 32)
3. Press the Program switch again to take the unit out of Learn mode and back to receive mode. The COMS Led goes off.

**Note:** When the unit is in receive mode the COMS Led should flash indicating that the communication between the panel and the receiver are working in sink with each other.

**BUTTON FUNCTIONS EXPLAINED:**



## PARADOX Serial Receiver

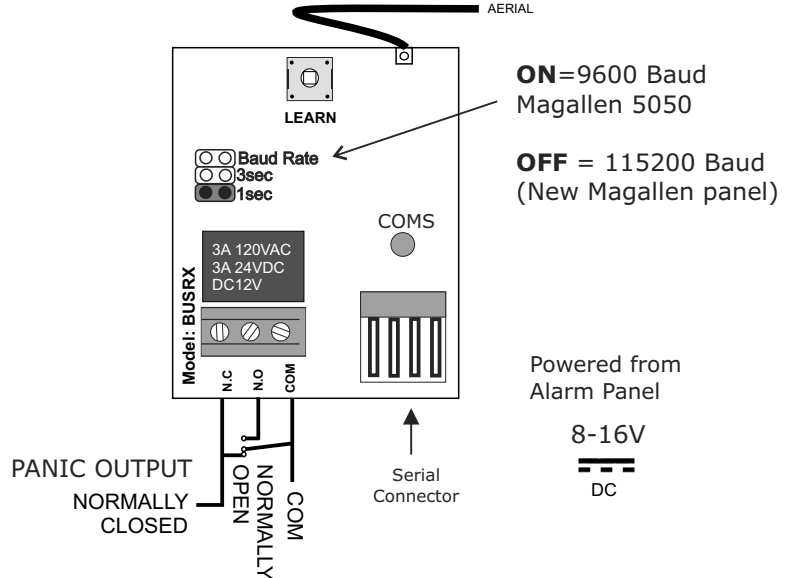
Model No: **PARA\_SERIAL\_RX**

### Description:

The 1 Channel Paradox Serial Receiver is designed to be connected to the Serial input of a Paradox Alarm panels. The Baud rate jumper must be setup for either the Magallen 5050 or the new Magallen panels. Once the Receiver is connected up to 80 x 6 Button fob transmitters can be enrolled to control the Panel. The Receiver will via the Serial input control the Panel to either :-Arm /Stay Arm or Disarm. Panic will need to be connected via the dry contact relay output to a Zone on the Panel or directly to the Alarm Responses Radio equipment.

### SPECIFICATIONS:

Encryption.....Code-Hopping  
 Frequency.....403.55MHz  
 Receiving range.....150m  
 Power input range.....8 ~ 16V DC  
 Current drain.....11mA, 12VDC  
 Memory capacity.....80 Remotes  
 Relay output times.....1 or 3 second momentary  
 Dimensions.....100 X 60 x 25mm  
 Weight.....95 grams  
 Warranty.....2 year  
 Board identification.....BUSRX\_V3  
 Release month.....July 2015



### Installation of product:-

1. De-power the Paradox Alarm Panel and disconnect the battery backup.
2. Plug the supplied Receiver wire harness to the Paradox Alarm Panels motherboard marked **SERIAL**.
3. Mount the Receiver on wall away from the Alarm panels chassis for **best** reception range.  
 Note: The wire harness may be cut and extended if required, but must not exceed 20meter in length.
4. Power up the Alarm panel, plug the Battery back and follow the programming procedure to enrol remotes.

### ENROLLING REMOTES TO THE RECEIVER

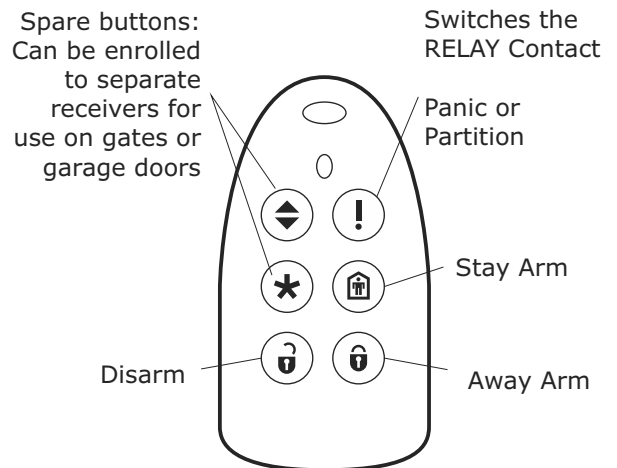
#### For New Installations:

1. Default the unit first ensuring any factory test codes are erased.  
 Click the LEARN button once. The COMS LED turns OFF.
2. Press any button on the Remote control to be enrolled at least three times. The COMS LED will flash twice when the Remote control enrolls or Learns in successfully.
3. Click the LEARN switch once more to exit from enrolling mode. The COMS LED will turn ON.

#### Adding additional Remotes to Existing Installations:

1. Click the LEARN button once. The COMS LED turns OFF.
2. Press any button on the Remote control to be enrolled at least three times. The COMS LED will flash twice when the Remote control enrolls or Learns in successfully.
3. Click the LEARN switch once more to exit from enrolling mode. The COMS LED will turn ON.

### BUTTON FUNCTIONS EXPLAINED:



### DEFAULTING THE RECEIVER

Note: This function erases or defaults all the remotes from its internal memory.

1. Press and hold in the LEARN switch in for approx 10 seconds.  
 The COMS LED will turn OFF and then start to flash for +/-10 seconds. When the LED stops flashing the unit is Defaulted.
- 2 You can stop pressing the LEARN switch and wait for the COMS LED to turn back ON. The unit is now ready to be enrolled with new remotes.

